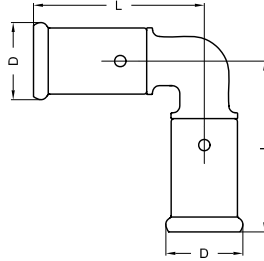




## 10.2 PVDF press fittings

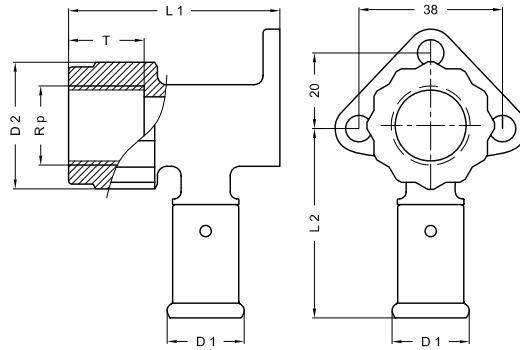
### 10.2.1 PVDF press fittings

**TYPE: 1PK** Elbow 90°



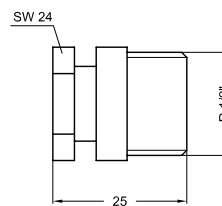
ART. NO.	L mm	D mm
1PK-1414	46	20
1PK-1616	47	22
1PK-1818	48	24
1PK-2020	49	26
1PK-2626	54	32
1PK-3232	72	39
1PK-4040	78	47
1PK-5050	100	57
1PK-6363	116	70

**TYPE: 2PK** Backplate elbow female, short model



ART. NO.	L1 mm	L2 mm	D1 mm	D2 mm	Rp	T mm
2PK-1404	56	52	20	33	1/2"	13,5
2PK-1603	56	52	22	33	3/8"	13,5
2PK-1604	56	52	22	33	1/2"	13,5
2PK-1804	56	52	24	33	1/2"	13,5
2PK-2004	56	52	26	33	1/2"	13,5
2PK-2005	61	58	26	40	3/4"	15,5
2PK-2605	66	58	32	40	3/4"	15,5

**TYPE: BPO4** Black plug for 1/2" female nipple

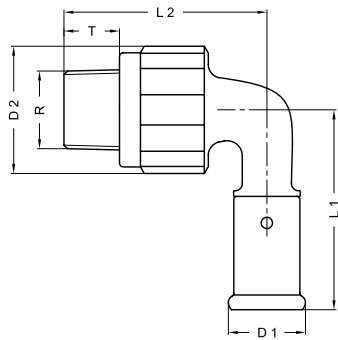


ART. NO.

BPO4

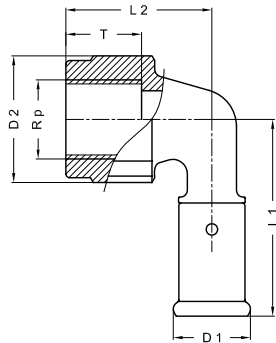
# 10 PRODUCT RANGE

## TYPE: 5PK Bent male iron adapter 90°



ART. NO.	L1 mm	L2 mm	D1 mm	D2 mm	R	T mm
5PK-1404	54	54	20	33	1/2"	13,5
5PK-1604	54	54	22	33	1/2"	13,5
5PK-1804	54	54	24	33	1/2"	13,5
5PK-2004	56	56	26	33	1/2"	13,5
5PK-2005	58	58	26	40	3/4"	14,5
5PK-2605	60	62	32	40	3/4"	14,5
5PK-3206	75	68,5	39	45,5	1"	16,5
5PK-4007	84	77	47	56,5	5/4"	19
5PK-5007	101	86	57	56,5	5/4"	19
5PK-5008	101	93	57	70	6/4"	20
5PK-6310	126	118	70	90	2"	23

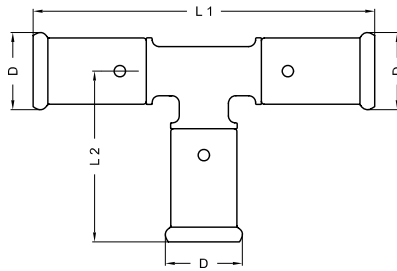
## TYPE: 6PK Bent female iron adapter 90°



ART. NO.	L1 mm	L2 mm	D1 mm	D2 mm	Rp	T mm
6PK-1404	53	39	20	33	1/2"	13,5
6PK-1603	53	39	22	33	3/8"	13,5
6PK-1604	53	39	22	33	1/2"	13,5
6PK-1804	53	39	24	33	1/2"	13,5
6PK-2004	53	39	26	33	1/2"	13,5
6PK-2005	60	47,5	26	40	3/4"	15,5
6PK-2605	60	47,5	32	40	3/4"	15,5
6PK-3206	75	58,5	39	45,5	1"	18
6PK-4007	81	72	47	56,5	5/4"	21
6PK-5007	101	77	57	56,5	5/4"	21
6PK-5008	101	82	57	70	6/4"	25
6PK-6310	126	104	70	90	2"	30

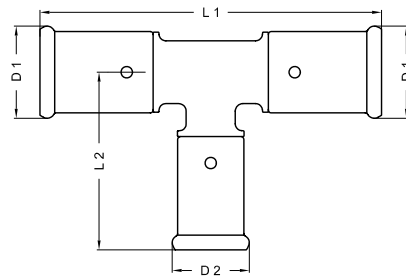


**TYPE: 9PK** Equal Tee



ART. NO.	L1 mm	L2 mm	D mm
9PK-141414	93	46	20
9PK-161616	94	47	22
9PK-181818	97	48,5	24
9PK-202020	98	49	26
9PK-262626	107	53	32
9PK-323232	140	70	39
9PK-404040	151	75	47
9PK-505050	191	95	57
9PK-636363	232	117	70

**TYPE: 10PK** T-reduced centre

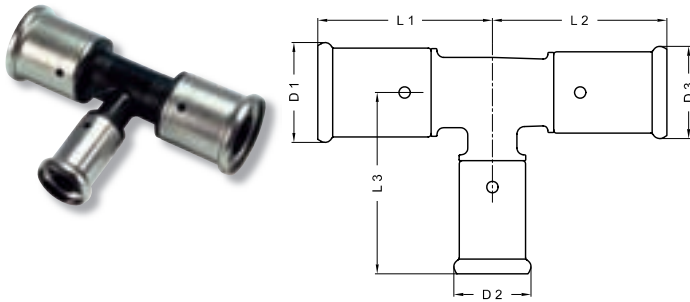


ART. NO.	L1 mm	L2 mm	D1 mm	D2 mm
10PK-161416	95	47,5	22	20
10PK-181418	97	49	24	20
10PK-181618	97	49	24	22
10PK-201620	94	49	26	22
10PK-201820	98	50,5	26	24
10PK-261626	98	53	32	22
10PK-261826	100	53	32	24
10PK-262026	103	54	32	26
10PK-321632	133	58	39	22
10PK-321832	133	58	39	24
10PK-322032	133	58	39	26
10PK-322632	133	58	39	32
10PK-401640	120	59	47	22
10PK-402040	123	59	47	26
10PK-402640	136	61	47	32
10PK-403240	144	75	47	39
10PK-502650	160	64	57	32
10PK-503250	167	77	57	39
10PK-504050	184	81	57	47
10PK-632663	187	71	70	32
10PK-633263	193	84	70	39
10PK-634063	212	87	70	47
10PK-635063	220	103	70	57

- 1
- 2
- 3
- 4
- 5
- 6
- 7
- 8
- 9
- 10**
- 11
- 12
- 13

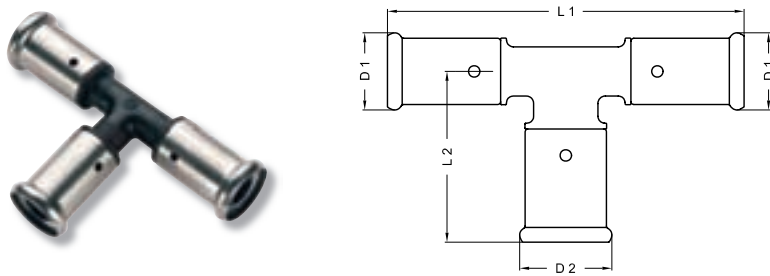
# 10 PRODUCT RANGE

## TYPE: 11PK T-branch and line reduced (\*3 x Reduced)



ART. NO.	L1 mm	L2 mm	L3 mm	D1 mm	D2 mm	D3 mm
11PK-161414	47,5	47,5	47	22	20	20
11PK-181616	48,5	49,3	49,3	24	22	22
11PK-201616	47,5	49,5	49,5	26	22	22
11PK-201818	49,5	50,3	50,2	26	24	24
11PK-202016	49,5	51	49,5	26	26	22
11PK-261620*	51,8	51,8	53,5	32	22	26
11PK-262016*	51,5	51,5	53,2	32	26	22
11PK-262020	51,8	51,8	54	32	26	26
11PK-262616	53,5	56	53,5	32	32	22
11PK-262620	53,5	54,5	53,2	32	32	26
11PK-322026*	66,8	60	58,5	39	26	32
11PK-322626	66,3	60	58,5	39	32	32
11PK-402632*	68	72	61,4	47	32	39
11PK-403232	70,5	70,5	72	47	39	39
11PK-404026	74,5	70,5	75,5	47	47	32
11PK-404032	74,5	74,5	75,5	47	47	39
11PK-402032*	62	62	59	47	26	39
11PK-502040*	78	65	64	57	26	47
11PK-502640*	80	65	64	57	32	47
11PK-503240*	84	68	77	57	39	47
11PK-504040	88	73	77	57	47	47

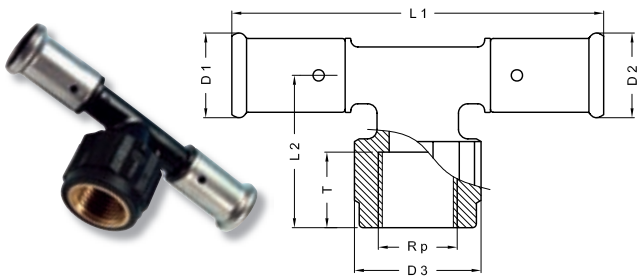
## TYPE: 12PK T-enlarged branch



ART. NO.	L1 mm	L2 mm	D1 mm	D2 mm
12PK-161816	98	48,5	22	24
12PK-162016	101	48,5	22	26
12PK-202620	108	52	26	32
12PK-263226	114	66	32	39
12PK-324032	145	69	39	47
12PK-405040	154	88	47	57

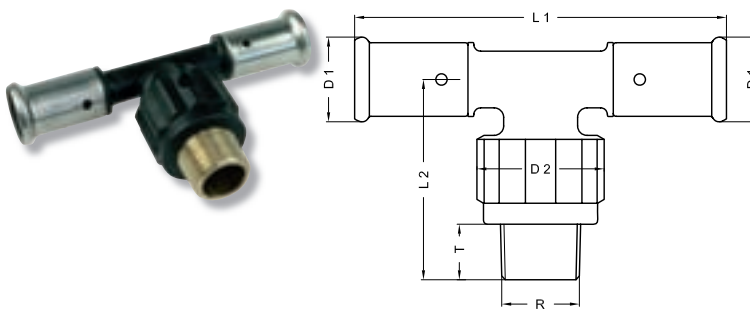


**TYPE: 13PK** T-female iron centre



ART. NO.	L1	L2	D1	D2	D3	Rp	T
	mm	mm	mm	mm	mm		mm
13PK-160416	109	39	22	22	33	1/2"	13,5
13PK-180418	109	39	24	24	33	1/2"	13,5
13PK-200420	109	39	26	26	33	1/2"	13,5
13PK-200520	119	47	26	26	40	3/4"	15,5
13PK-260420	109	43	26	32	33	1/2"	13,5
13PK-260426	109	43	32	32	33	1/2"	13,5
13PK-260526	119	47	32	32	40	3/4"	15,5
13PK-320532	146	52,5	39	39	40	3/4"	15,5
13PK-320632	149	56	39	39	45,5	1"	18
13PK-320732	161	66	39	39	56,5	5/4"	21
13PK-400640	153	63	47	47	45,5	1"	18
13PK-400740	158	69	47	47	56,5	5/4"	21
13PK-500850	202	84	57	57	70	6/4"	25
13PK-631063	242	104	70	70	90	2"	30

**TYPE: 14PK** T-male iron centre



ART. NO.	L1	L2	D1	D2	R	T
	mm	mm	mm	mm		mm
14PK-160416	109	54	22	33	1/2"	13,5
14PK-180418	109	54	24	33	1/2"	13,5
14PK-200420	109	54	26	33	1/2"	13,5
14PK-200520	114	58	26	40	3/4"	14,5
14PK-260426	119	60	32	33	1/2"	13,5
14PK-260526	119	63	32	40	3/4"	14,5
14PK-260626	124	65	39	45,5	1"	16,5
14PK-320532	146	66	39	40	3/4"	14,5
14PK-400640	150	74	47	45,5	1"	16,5
14PK-400740	161	80	47	56,5	5/4"	19
14PK-500850	202	88	57	70	6/4"	20
14PK-631063	236	109	70	90	2"	23

- 1
- 2
- 3
- 4
- 5
- 6
- 7
- 8
- 9
- 10
- 11
- 12
- 13

# 10 PRODUCT RANGE

1

2

3

4

5

6

7

8

9

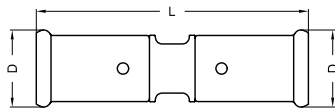
10

11

12

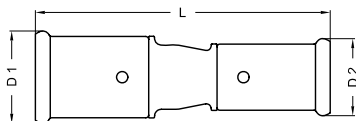
13

## TYPE: 15PK Straight coupling



ART. NO.	L mm	D mm
15PK-1414	74	20
15PK-1616	74	22
15PK-1818	75	24
15PK-2020	76	26
15PK-2626	81	32
15PK-3232	103	39
15PK-4040	106	47
15PK-5050	141	57
15PK-6363	171	70

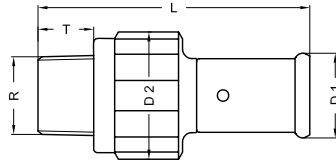
## TYPE: 16PK Reducing coupling



ART. NO.	L mm	D1 mm	D2 mm
16PK-1614	80,6	22	20
16PK-1814	82	24	20
16PK-1816	80,7	24	22
16PK-2016	80,8	26	22
16PK-2018	80,7	26	24
16PK-2616	84	32	22
16PK-2618	85	32	24
16PK-2620	84	32	26
16PK-3216	107	39	22
16PK-3220	103	39	26
16PK-3226	102	39	32
16PK-4026	113,8	47	32
16PK-4032	115	47	39
16PK-5032	136	57	39
16PK-5040	143	57	47
16PK-6326	176	70	32
16PK-6332	175	70	39
16PK-6340	174	70	47
16PK-6350	173	70	57

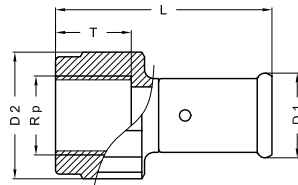


**TYPE: 17PK** Straight male iron adaptor



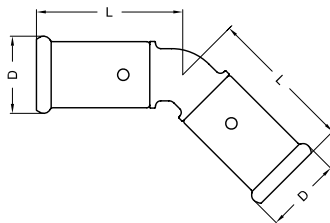
ART. NO.	L mm	D1 mm	D2 mm	R	T mm
17PK-1404	75	20	33	1/2"	13,5
17PK-1604	75	22	33	1/2"	13,5
17PK-1804	75	24	33	1/2"	13,5
17PK-1805	77	24	40	3/4"	14,5
17PK-2004	75	26	33	1/2"	13,5
17PK-2005	77	26	40	3/4"	14,5
17PK-2605	77	32	40	3/4"	14,5
17PK-2606	80	32	45,5	1"	16,5
17PK-3206	91	39	45,5	1"	16,5
17PK-3207	99	39	56,5	5/4"	19
17PK-4006	84	47	45,5	1"	16,5
17PK-4007	93	47	56,5	5/4"	19
17PK-5008	142	57	70	6/4"	20
17PK-6310	142	70	90	2"	23

**TYPE: 18PK** Straight female iron adaptor



ART. NO.	L mm	D1 mm	D2 mm	Rp	T mm
18PK-1404	59,5	20	33	1/2"	13,5
18PK-1604	59,5	22	33	1/2"	13,5
18PK-1804	59,5	24	33	1/2"	13,5
18PK-1805	63	24	40	3/4"	15,5
18PK-2004	59,5	26	33	1/2"	13,5
18PK-2005	63	26	40	3/4"	15,5
18PK-2605	63	32	40	3/4"	15,5
18PK-2606	70,5	32	45,5	1"	18
18PK-3206	82	39	45,5	1"	18
18PK-3207	90	39	56,5	5/4"	21
18PK-4006	74,5	47	45,5	1"	18
18PK-4007	85	47	56,5	5/4"	21
18PK-5008	107,5	57	70	6/4"	25
18PK-6310	131	70	90	2"	30

**TYPE: 27PK** 45° bend



ART. NO.	L mm	D mm
27PK-4040	63	47
27PK-5050	84	57
27PK-6363	102	70

- 1
- 2
- 3
- 4
- 5
- 6
- 7
- 8
- 9
- 10
- 11
- 12
- 13