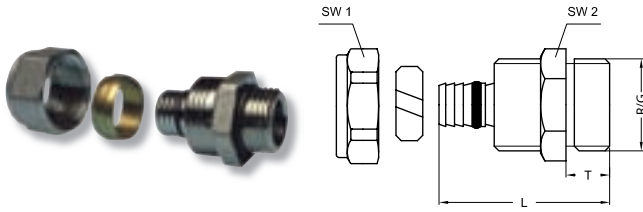




## 10.4 Screw fittings

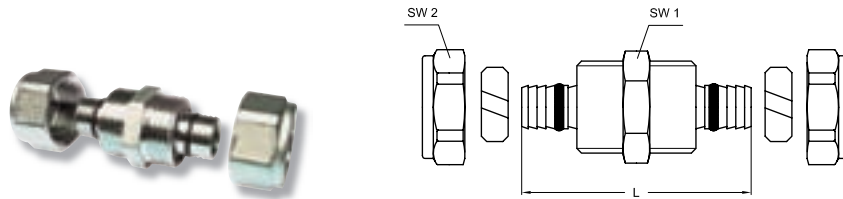
### TYPE: 1 Straight male iron adapter



ART. NO.	L1 mm	SW1 mm	SW mm	R	G	T
1-1403C (FUEL OIL)	41,4	24	21	3/8"		12,5
1-1404	39,3	24	23		1/2"	13,5
1-1604	39,3	24	23		1/2"	13,5
1-1604Z*	39,3	24	23		1/2"	13,5
1-1605*	46	30	28	3/4"		14,5
1-1804	40,3	30	28		1/2"	13,5
1-1805*	47	30	28		3/4"	14,5
1-2004	40,3	30	28		1/2"	13,5
1-2004Z*	40,3	30	28		1/2"	13,5
1-2005*	47	32	30		3/4"	14,5
1-2605*	51,5	37	35	3/4"		14,5
1-2606*	54,5	37	35	1"		16,5
1-3206*	50,5	44	40		1"	16,5

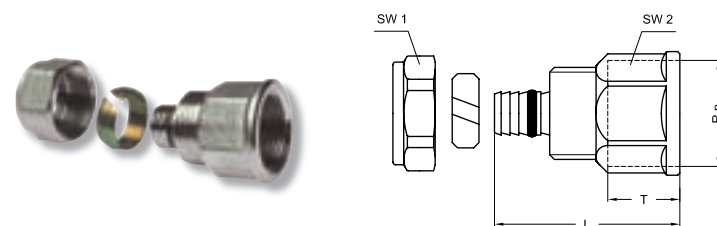
\* Without O-ring

### TYPE: 2 Straight coupling



ART. NO.	L mm	SW1 mm	SW2 mm
2-1414	52	23	24
2-1616	52	23	24
2-1818	52	28	30
2-2020	52	28	30
2-2626	62,5	35	37
2-3232	64	40	44

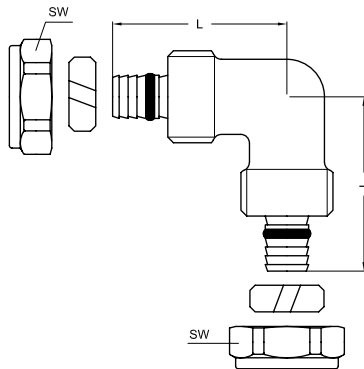
### TYPE: 3 Straight female iron adapter



ART. NO.	L mm	SW1 mm	SW2 mm	Rp	T mm
3-1404	42	24	24	1/2"	13,5
3-1604	42	24	24	1/2"	13,5
3-1804	42,5	30	28	1/2"	13,5
3-2004	42,5	30	28	1/2"	13,5
3-2005	45	32	30	3/4"	15,5
3-2605	49	37	35	3/4"	15,5
3-2606	52	37	37	1"	18
3-3206	47,5	44	40	1"	18

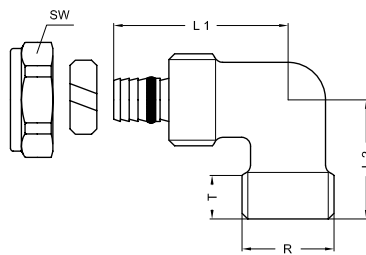
# 10 PRODUCT RANGE

## TYPE: 4 Elbow 90°



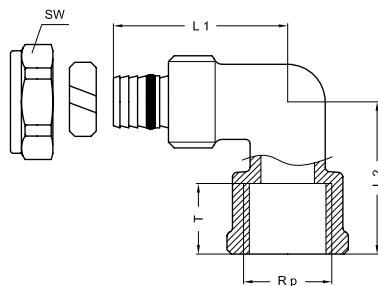
ART. NO.	L mm	SW mm
4-1414	39,5	24
4-1616	39,5	24
4-1818	44	30
4-2020	44	30
4-2626	51,5	37
4-3232	55,5	44

## TYPE: 5 Bent male iron adaptor 90°



ART. NO.	L1 mm	L2 mm	SW mm	R	T mm
5-1404	39,5	34,5	24	1/2"	13,5
5-1604	39,5	34,5	24	1/2"	13,5
5-1804	39,5	34,5	30	1/2"	13,5
5-2005	44	37,5	30	3/4"	14,5
5-2605	51,5	39,5	37	3/4"	14,5
5-2606	51,5	42,5	37	1"	16,5
5-3206	55,5	44,5	40	1"	16,5

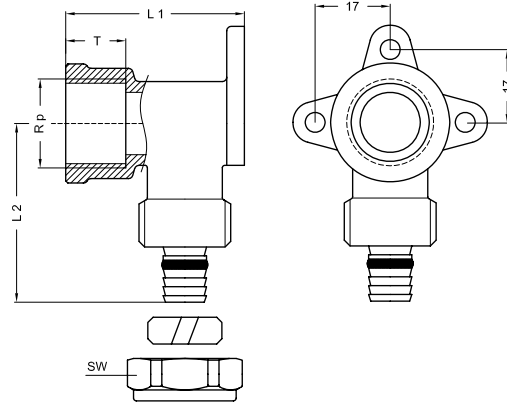
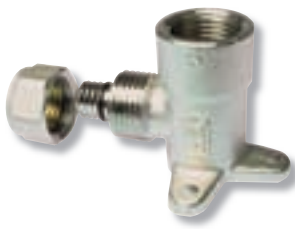
## TYPE: 6 Bent female iron adaptor 90°



ART. NO.	L1 mm	L2 mm	SW mm	Rp	T mm
6-1404	39,5	34,5	24	1/2"	13,5
6-1604	39,5	34,5	24	1/2"	13,5
6-1804	39,5	37,5	30	1/2"	13,5
6-2004	44	37,5	30	1/2"	13,5
6-2005	47,5	40,5	32	3/4"	15,5
6-2605	51,5	43,5	37	3/4"	15,5
6-2606	51,5	48	37	1"	18
6-3206	55,5	45	44	1"	18

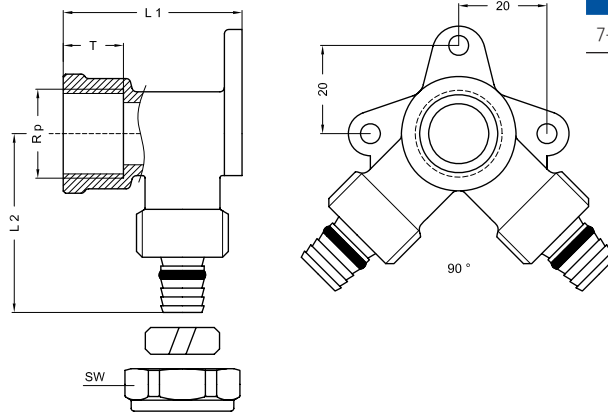


**TYPE: 7** Backplate elbow female



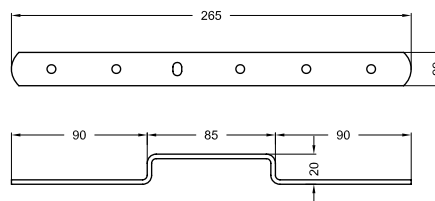
ART. NO.	L1 mm	L2 mm	SW mm	RP	T mm
7-1404	39,5	40,5	24	1/2"	13,5
7-1604	40,5	40,5	24	1/2"	13,5
7-1804	46	45	24	1/2"	13,5
7-2004	46	45	30	1/2"	13,5
7-2005	50	45	30	3/4"	15,5

**TYPE: 7D** Backplate elbow with branch connection



ART. NO.	L1 mm	L2 mm	SW mm	RP	T mm
7-160416	42	45	24	1/2"	13,5

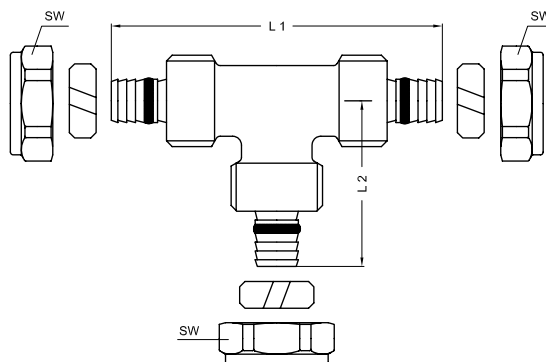
**TYPE: H** Bracket for backplate elbow



ART. NO.

H716042005

**TYPE: 8** Equal Tee

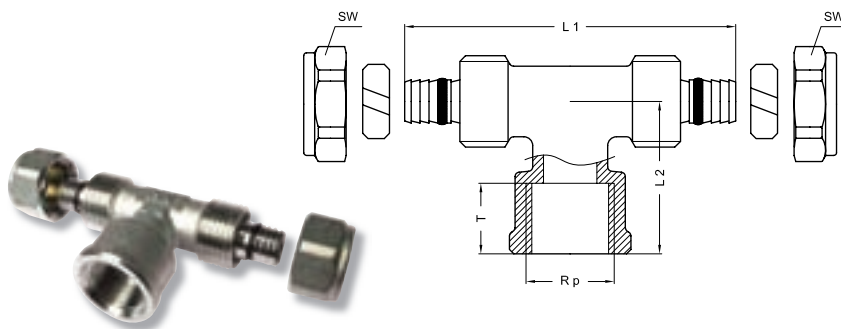


ART. NO.	L1 mm	L2 mm	SW mm
8-141414	79	39,5	24
8-161616	79	39,5	24
8-181818	88	44	24
8-202020	88	44	30
8-262626	103	51,5	37
8-323232	111	55,5	44

- 1
- 2
- 3
- 4
- 5
- 6
- 7
- 8
- 9
- 10
- 11
- 12
- 13

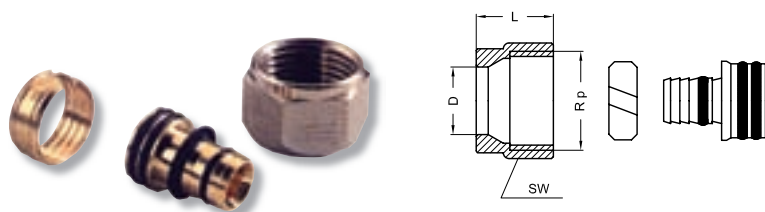
# 10 PRODUCT RANGE

## TYPE: 9 T-female iron branch



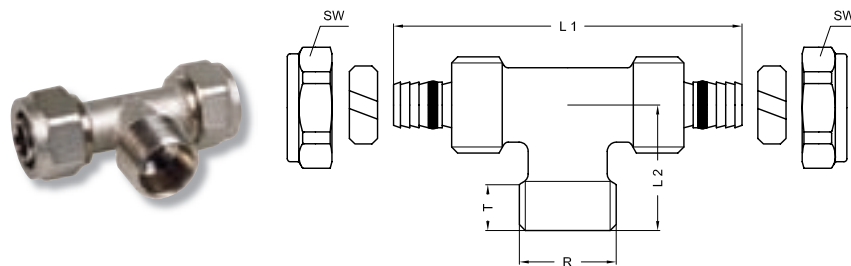
ART. NO.	L1 mm	L2 mm	SW mm	Rp mm	T mm
9-140414	79	34,5	24	1/2"	13,5
9-160416	79	34,5	24	1/2"	13,5
9-180418	79	37,5	30	1/2"	13,5
9-200520	95	40,5	30	3/4"	15,5
9-260526	103	43,5	37	3/4"	15,5
9-260626	103	48	37	1"	18
9-320632	111	45	48	1"	18

## TYPE: 10 Nut, insert and jointing ring



ART. NO.	L mm	D mm	SW mm	Rp mm
10-161404SN	18,4	14,3	23,8	1/2"
10-1604SN	14,8	16,5	23,8	1/2"

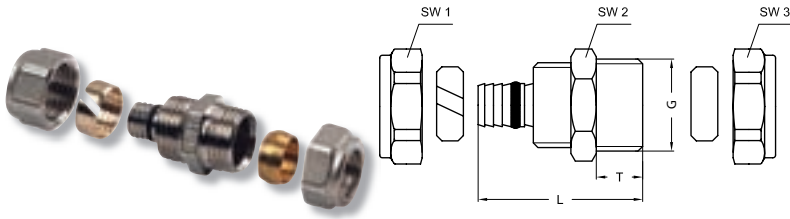
## TYPE: 11 T-male iron branch



ART. NO.	L1 mm	L2 mm	SW mm	R mm	T mm
11-160416	83	30,5	30	1/2"	13,5
11-200420	83	60,5	30	1/2"	13,5
11-200520	83	30,5	30	3/4"	14,5
11-260526	103	40,5	37	3/4"	14,5
11-260626	103	43,5	37	1"	16,5
11-320632	111	44,5	40	1"	16,5

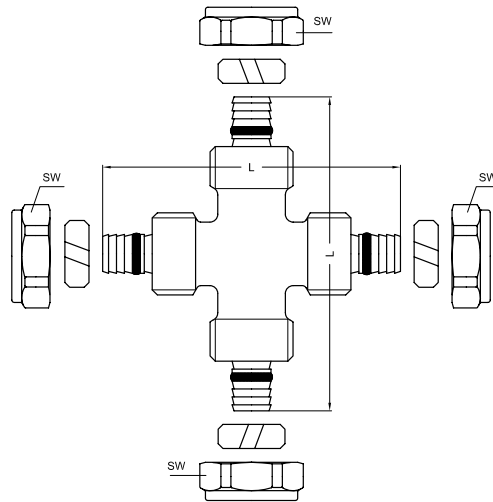


**TYPE: 24** Nut, insert and jointing ring to copper compression



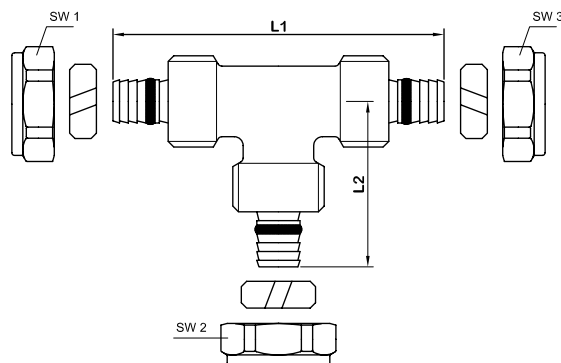
ART. NR.	L	SW1	SW2	SW3	G	T
	mm	mm	mm	mm		mm
24-1615	39,5	23	24	24	1/2"	10,5
24-2022	40,5	30	30	32	1"	11,5
24-2622	47	35	30	32	1"	11,5
24-2628	47	36	37	39	3/8"	11,5

**TYPE: 25** Cross tee



ART. NO.	L	SW
	mm	mm
25-14141414	75,2	23,8
25-16161616	75,2	23,8
25-18181818	84	29,8
25-20202020	84,1	29,8

**TYPE: 28** Reducing tee

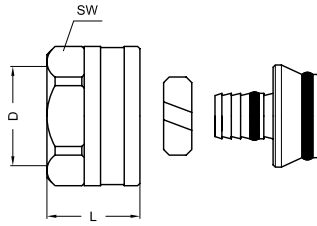
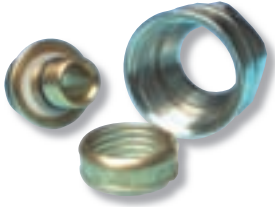


ART. NO.	L1	L2	SW1	SW2	SW3
	mm	mm	mm	mm	mm
28-181618	84	40	30	23,8	30
28-201616	81,6	40	30	23,8	23,8
28-201620	82,8	40	30	23,8	30
28-202016	81,5	41	30	30	23,8
28-261626	103,2	41	36,8	23,8	36,8
28-262026	103,2	44,5	36,8	30	36,8

- 1
- 2
- 3
- 4
- 5
- 6
- 7
- 8
- 9
- 10
- 11
- 12
- 13

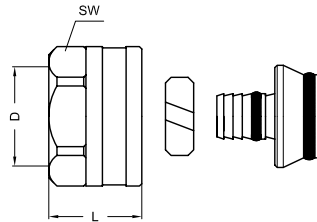
# 10 PRODUCT RANGE

**TYPE: EK** Nickel plated eurocone (3/4" F)



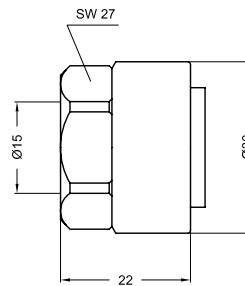
ART. NO.	L mm	D mm	SW mm
EK14	20	15,5	26,8
EK16	20	17,5	26,8
EK17	20	18,5	26,8
EK18	20	19,5	26,8
EK20	23,3	21,5	26,8

**TYPE: EKH** Brass eurocone (3/4" F)



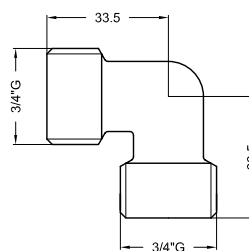
ART. NO.	L mm	D mm	SW mm
EKH16	20	17,5	26,8

**TYPE: EK15** Eurocone (3/4" F) for copper tube 15 mm



ART. NO.
EK15

**TYPE: AB** Eurocone elbow (3/4" M)



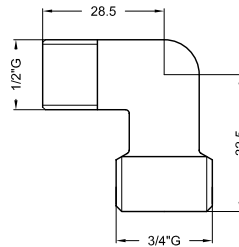
ART. NO.
AB1420



**TYPE: ABE** Bent eurocone (3/4" M) x 1/2" male iron adaptor

ART. NO.

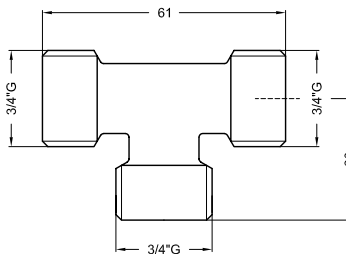
ABEK04



**TYPE: AT** Eurocone equal tee

ART. NO.

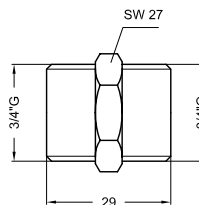
AT1420



**TYPE: AD** Eurocone straight coupling (3/4" M)

ART. NO.

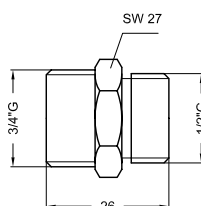
AD-EKEK



**TYPE: AN** Straight eurocone connection (3/4" M) to 1/2" male adaptor

ART. NO.

AN1420



- 1
- 2
- 3
- 4
- 5
- 6
- 7
- 8
- 9
- 10
- 11
- 12
- 13