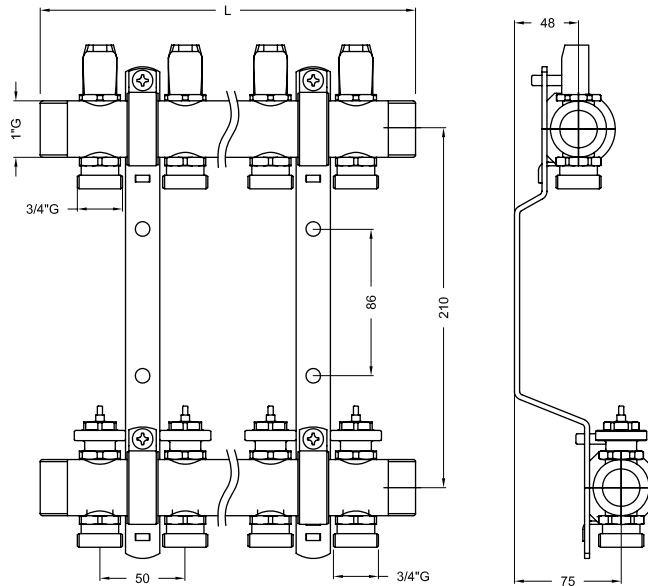
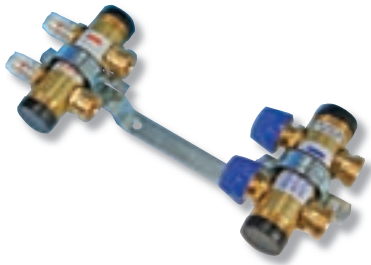


10 PRODUCT RANGE

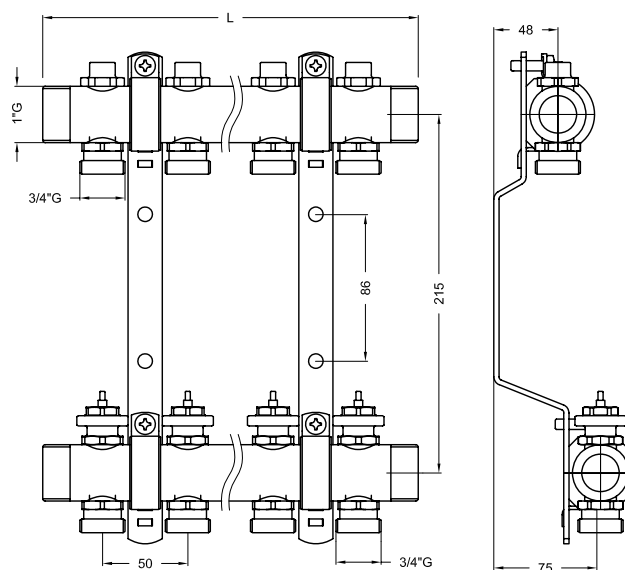
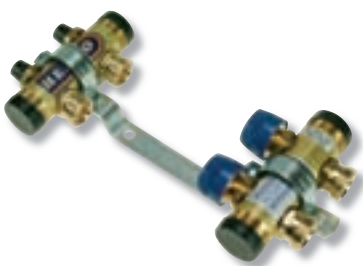
10.6 Underfloor heating

TYPE: V-06-F Underfloor heating manifold with flow gauge + regulator



ART. NO.	L mm
V-060402-F	102
V-060403-F	152
V-060404-F	202
V-060405-F	252
V-060406-F	302
V-060407-F	352
V-060408-F	402
V-060409-F	452
V-060410-F	502
V-060411-F	552
V-060412-F	602

TYPE: V-06-R Underfloor heating manifold with regulator



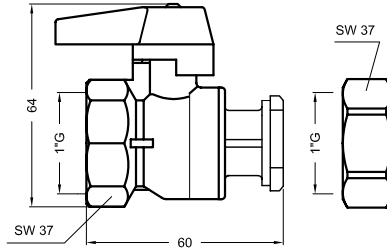
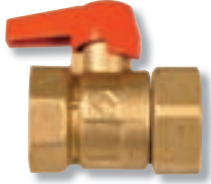
ART. NO.	L mm
V-060402-R	102
V-060403-R	152
V-060404-R	202
V-060405-R	252
V-060406-R	302
V-060407-R	352
V-060408-R	402
V-060409-R	452
V-060410-R	502
V-060411-R	552
V-060412-R	602



TYPE: V-4049 1" ball valve with swivel nut and washer (red and blue colour coded handles)

ART. NO.

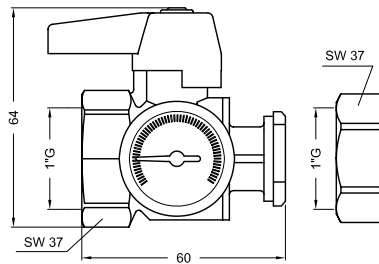
V-3114049



TYPE: V-4070 1" ball valve with swivel nut + washer (red and blue colour coded handles) and thermometer 0-50°C

ART. NO.

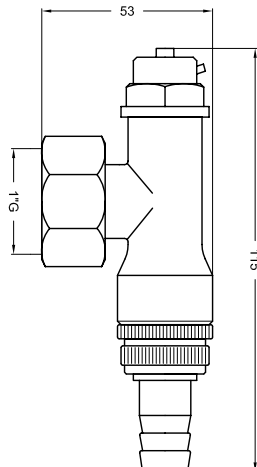
V-3114070



TYPE: V-6080 Manifold endcap (pair) 1" female thread with nut and washer + air vent 3/8"

ART. NO.

V-3036080



- 1
- 2
- 3
- 4
- 5
- 6
- 7
- 8
- 9
- 10
- 11
- 12
- 13

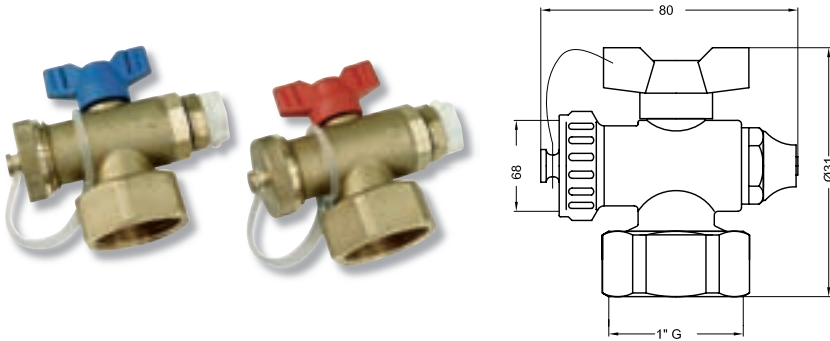
10 PRODUCT RANGE

- 1
- 2
- 3
- 4
- 5
- 6
- 7
- 8
- 9
- 10**
- 11
- 12
- 13

TYPE: V-6090 Manifold endcap (pair) 1" female thread with nut and washer with air vent 3/8" and lockable fill tap 1/2"

ART. NO.

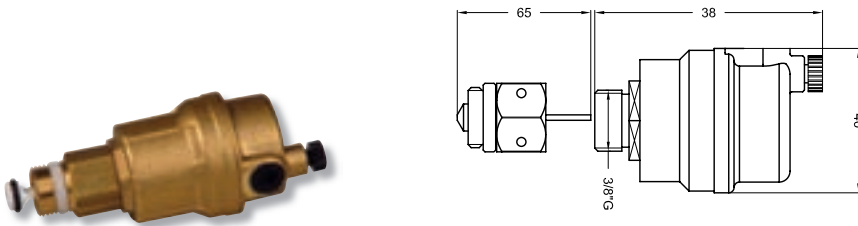
V-3036090



TYPE: V-8080 Automatic air vent with 3/8" connection (vertical)

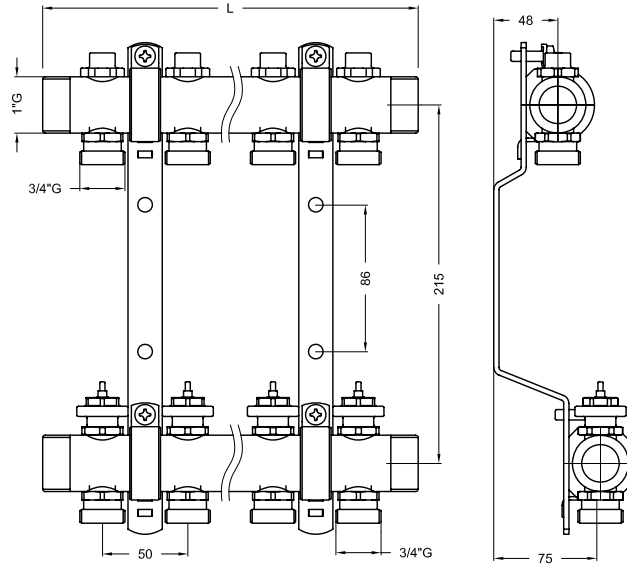
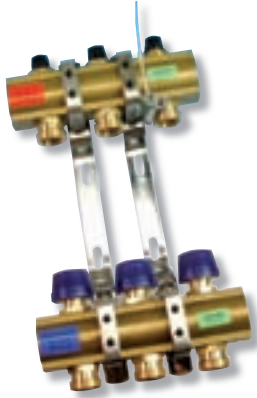
ART. NO.

V-3088080





TYPE: VH-06-R Underfloor heating manifold with regulator, female



ART. NO.	L mm
VH-060402-R	102
VH-060403-R	152
VH-060404-R	202
VH-060405-R	252
VH-060406-R	302
VH-060407-R	352
VH-060408-R	402
VH-060409-R	452
VH-060410-R	502
VH-060411-R	552
VH-060412-R	602

- 1
- 2
- 3
- 4
- 5
- 6
- 7
- 8
- 9
- 10
- 11
- 12
- 13