

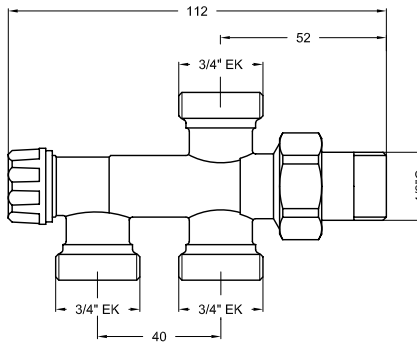
10 PRODUCT RANGE

10.7 Valves

TYPE: RAD04-100V Radiator connector with 3/4" eurocone connections, straight

ART. NO.

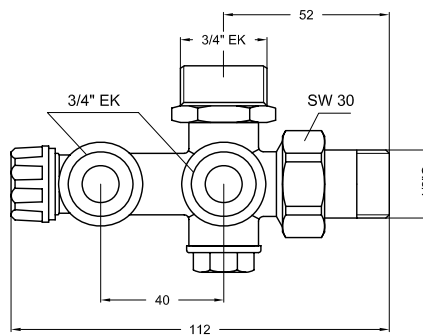
RAD04-100V



TYPE: RAD04-100H Radiator connector with 3/4" eurocone connections, bent

ART. NO.

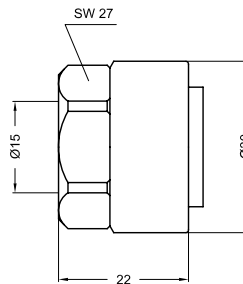
RAD04-100H



TYPE: EK15 Straight eurocone (3/4"F) for Ø15 copper pipe adaptor

ART. NO.

EK15

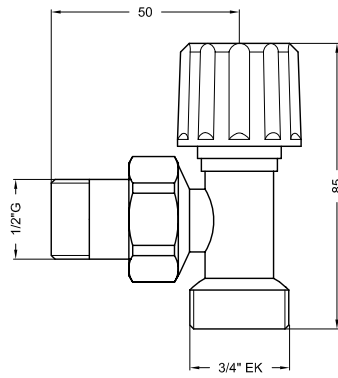




TYPE: RADK2-H Radiatorvalve 1/2" with 3/4" eurocone connection, bent

ART. NO.

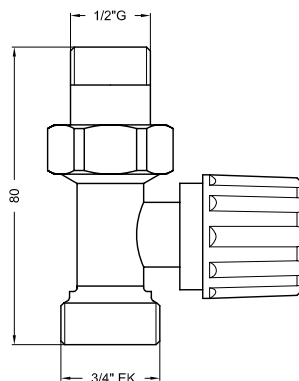
RADK2-H



TYPE: RADK2-R Radiatorvalve 1/2" with 3/4" eurocone connection, straight

ART. NO.

RADK2-R



TYPE: RADP Connecting tube 15 mm

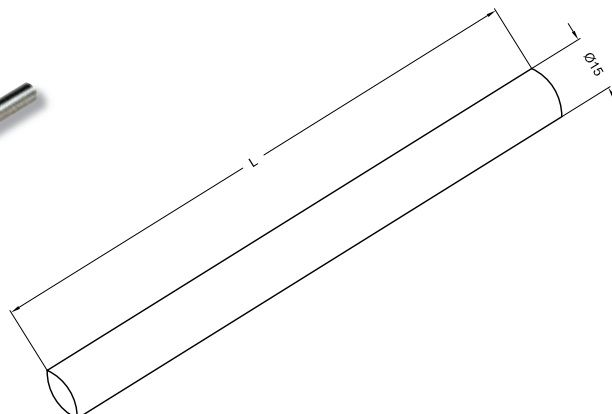
ART. NO.

L

mm

RADP-600 600

RADP-1100 1100



- 1
- 2
- 3
- 4
- 5
- 6
- 7
- 8
- 9
- 10
- 11
- 12
- 13

10 PRODUCT RANGE

1

2

3

4

5

6

7

8

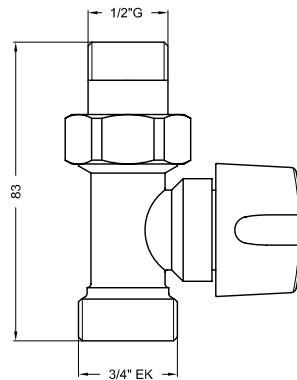
9

10

TYPE: RADK-RT Thermostatic radiator valve (straight) body 1/2" male connection x 3/4" eurocone

ART. NO.

RADK2-RT



11

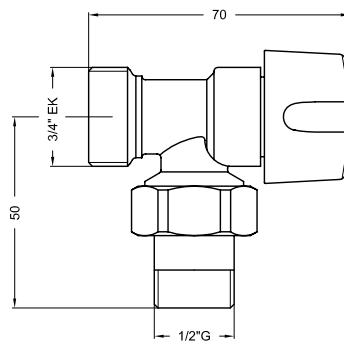
12

13

TYPE: RADK2-HT Thermostatic radiator valve (bent) body 1/2" male connection x 3/4" eurocone

ART. NO.

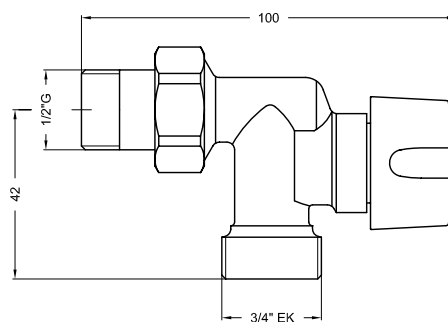
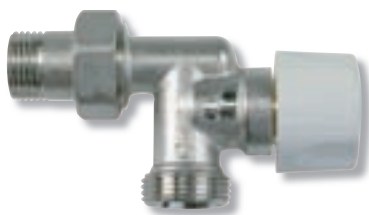
RADK2-HT



TYPE: RADK-HVT Thermostatic radiator valve (inverted) body 1/2" male connection x 3/4" eurocone

ART. NO.

RADK2-HVT

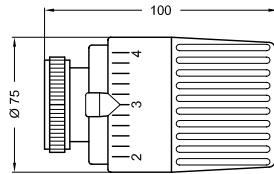




TYPE: RADTH-VL Thermostatic radiator valve head

ART. NO.

RADTH-VL

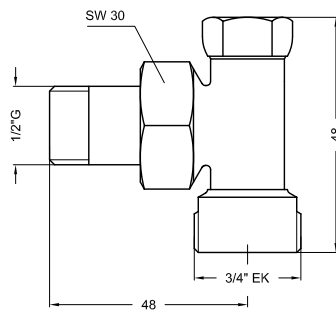


- 1
- 2
- 3
- 4
- 5
- 6
- 7
- 8
- 9
- 10**
- 11
- 12
- 13

TYPE: RADV-2-H 2-way lockshield valve 1/2", square x 3/4" eurocone

ART. NO.

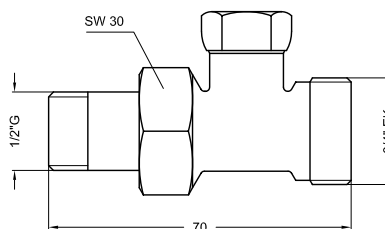
RADV-2-H



TYPE: RADV-2-R 2-way lockshield valve 1/2", straight x 3/4" eurocone

ART. NO.

RADV-2-R

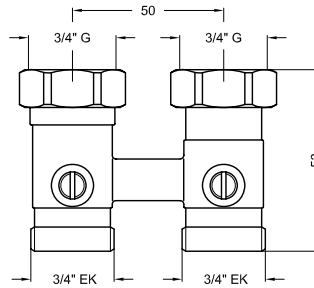


10 PRODUCT RANGE

- 1
- 2
- 3
- 4
- 5
- 6
- 7
- 8
- 9
- 10**
- 11
- 12
- 13

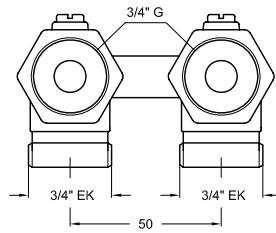
TYPE: RADH4-100V Straight radiator H-block with valve, supplied without nipple x 3/4" eurocone

ART. NO.
RADH4-100V



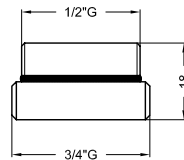
TYPE: RADH4-100H Bent radiator H-block with valve, supplied without nipple x 3/4" eurocone

ART. NO.
RADH4-100H



TYPE: RADNI Nipple for H radiatorblock

ART. NO.
RADNI-0504

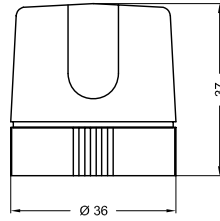




TYPE: RAD-H Micromatic wheelhandle for thermostatic valve

ART. NO.

RAD-H



- 1
- 2
- 3
- 4
- 5
- 6
- 7
- 8
- 9
- 10
- 11
- 12
- 13

TYPE: RAD-B Elbow 1/2"

ART. NO.

L

H

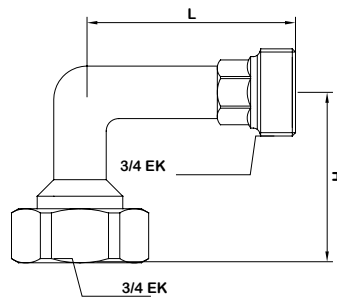
mm

mm

RAD-B

52,5

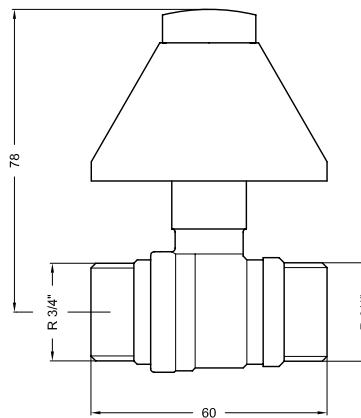
40



TYPE: BA-CC Built-in ball valve with chromed cap 2 x 3/4" eurocone

ART. NO.

BA-CC



10 PRODUCT RANGE

1

2

3

4

5

6

7

8

9

10

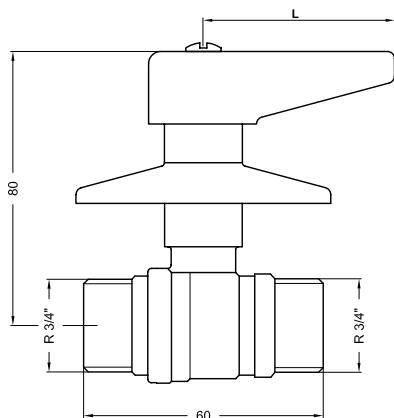
11

12

13

TYPE: BA-CH Built in ball valve with chromed lever handle 2 x 3/4" eurocone

ART. NO.	L
	mm
BA-CH	55



TYPE: BA-CS Built in eurocone ball valve 2 x 3/4" eurocone with chromed handle

ART. NR
BA-CS

