



2.2 Synthetic (PVDF) press fittings for gas

From a technical perspective PVDF press fittings for gas have one important difference from the press fittings for sanitary and heating application. The fittings are provided with a special O-ring that is resistant to gas. To make this difference visually clear they are provided with a yellow strip on each pressure

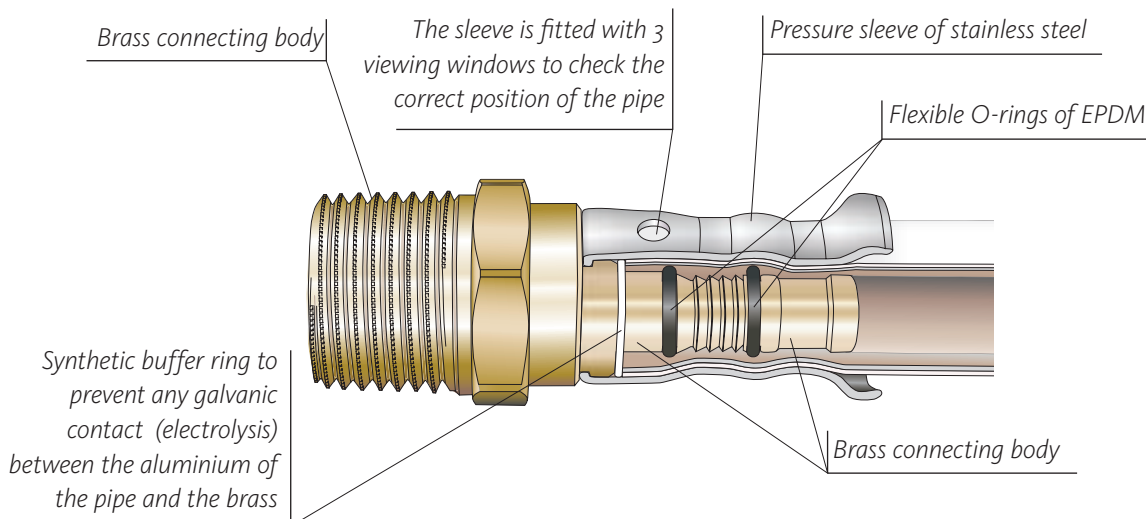
sleeve. The fittings for gas may never be used for sanitary applications or heating. This also applies the other way around. Fittings for gas may only be used in combination with the yellow Henco multilayer pipe for gas. The system has Dutch Kiwa gas use approval.



2.3 Brass press fittings

The connecting body in the fitting is made of brass. As distinct from the PVDF fitting, the brass fitting must be provided with a synthetic buffer ring to prevent any galvanic contact between the aluminium of the pipe and the brass

and the brass. The fitting is also provided with O-rings of EPDM and a stainless steel sleeve with 3 viewing windows.



- 1
- 2
- 3
- 4
- 5
- 6
- 7
- 8
- 9
- 10
- 11
- 12
- 13