



Henco's built-in cabinets and surface mounted cabinets are made of sheet steel. The built-in cabinets are galvanized or painted white (RAL 9016); the surface-mount type are painted white (RAL 9016).

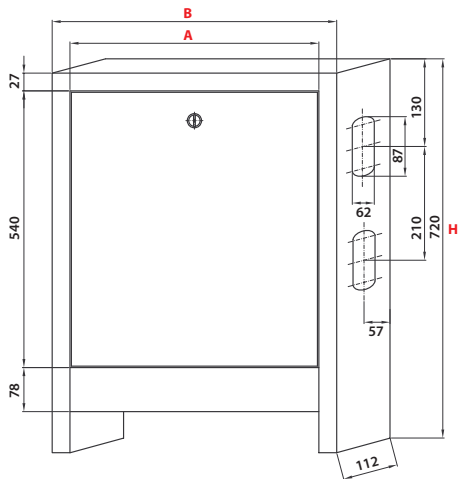
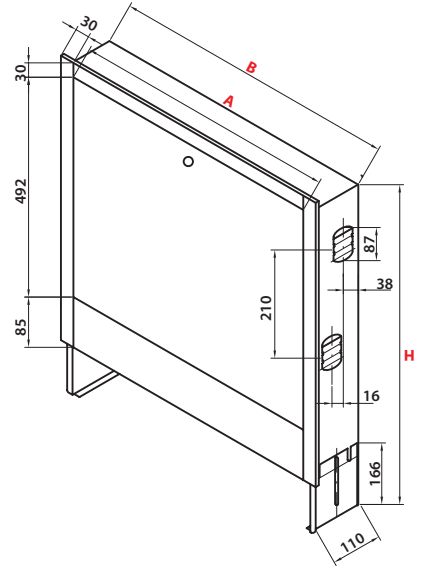
Built-in cabinet	Type			
	VS-0204	VS-0208	VS-0912	VS-1316
Number of loops without pump unit; connected sideways	4	8	12	12
Number of loops without pump unit; connected downward	3	7	11	12
Number of loops with pump unit; connected sideways	x	4	8	12
Number of loops with pump unit; connected downward	x	3	7	11
Height of in-built (mm) *1 H	700-800	700-800	700-800	700-800
Width of in-built (mm) B	440	640	840	1040
Depth of in-built (mm) *2	112-152	112-152	112-152	112-152
Useful inner dimensions (mm)	390	590	790	990
Door opening (mm) A	390	590	790	990

*1 Thanks to the adjustable feet the height of the built-in is adjustable between 700 and 800 mm.

*2 The casing is adjustable between 112 and 152 mm to make the cabinet fit the opening depth.

Opening needed	Type			
	VS-0204	VS-0208	VS-0912	VS-1316
Height (mm)	720-820	720-820	720-820	720-820
Width (mm)	490	690	890	1090
Depth (mm)	122-162	122-162	122-162	122-162

Wall cabinet	Type			
	VSA-0204	VSA-0208	VSA-0912	VSA-1316
Number of loops without pump unit; connected sideways	3	7	11	12
Number of loops without pump unit; connected downward	2	6	11	12
Number of loops with pump unit; connected sideways	x	3	7	11
Number of loops with pump unit; connected downward	x	2	6	10
Height (mm) H	720	720	720	720
Width (mm) B	400	600	800	1000
Depth (mm)	112	112	112	112
Useful inner dimensions (mm)	396	596	796	996
Door opening (mm) A	344	544	744	944



- 1
- 2
- 3
- 4
- 5
- 6
- 7
- 8
- 9
- 10
- 11
- 12
- 13