

# MULTIPIPE

## 40-06157 - Single Zone Pump Set

### TECHNICAL DATA SHEET

#### Product Detail

The Multipipe Single Zone Pump Set is an easy way to add up to 2 new pipework loops to a high-temperature system. This compact unit mixes, pumps and distributes the UFH throughout your system.

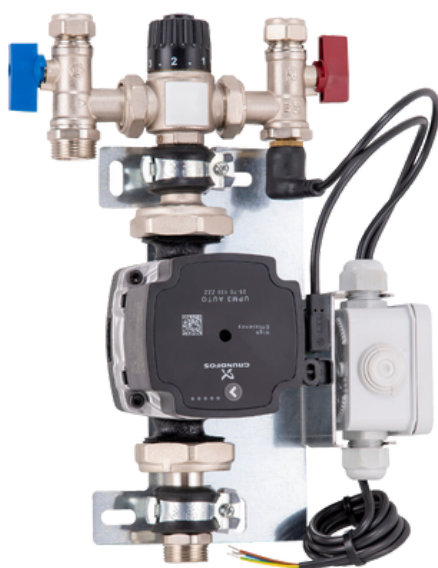
Made from high-quality components, this unit is the best way to easily add a small UFH zone. You can set a fixed temperature between 30-65°C and the unit will blend to the temperature given. Where two loops are required, these should be of equal length and will require a Y splitter.

#### Benefits

- Pre-wired for ease of installation
- Pre-mounted and setup for fast install
- Compact for ease of adding up to two additional single-zone loops

#### Features

- Grundfos UPM3 AUTO pump
- Eurocone connections
- 15mm copper compression ends



Product Code	40-04157
Input Voltage	230v AC, +-10%, 50/60 Hz
Valve Size	Kv 2.3
Adjustment Range	30 - 65°C
Pump Type	Grundfos UPM3 Auto 25/7
Max Working Pressure	10 Bar
Valve Working Temperature	5 - 90°C
Max Working Pressure	10 Bar

#### Supplementary Products

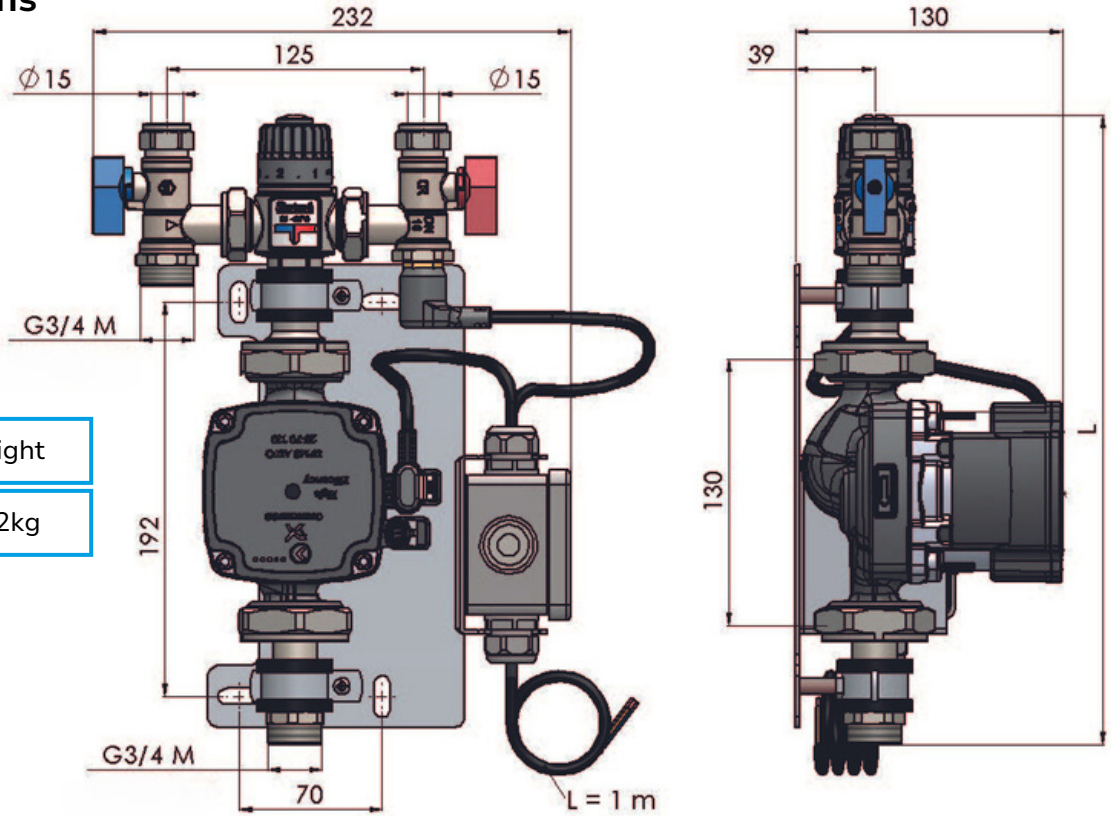


# MULTIPIPE

## 40-06157 - Single Zone Pump Set

### TECHNICAL DATA SHEET

#### Dimensions



L [mm]	Weight
312mm	3.72kg

Underfloor Heating

#### Valve Setting

Min	30°C
1	36°C
2	40°C
3	44°C
4	50°C
5	53°C
Max	65°C

#### Wiring

