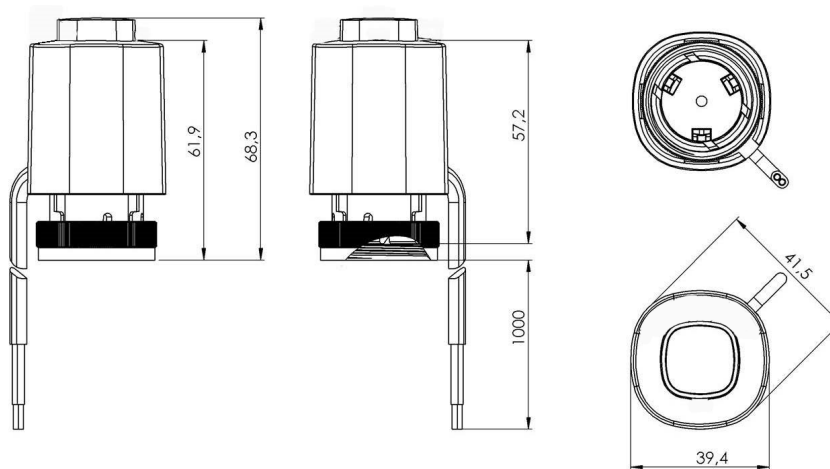


## Technical Datasheet



### Thermo head

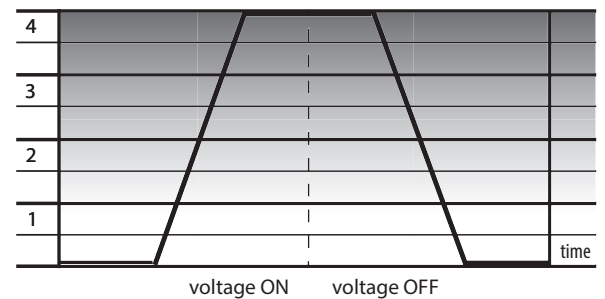
Thermoelectric actuator for an energy saving regulation of surface heating and cooling systems.

#### Technical information:

Version	NC = Normally closed
Voltage	230 V AC, +10%.....-10% (50 Hz - 60 Hz) 24 V AC / DC, +20%...-10% (0 Hz - 60 Hz)
Operating current	230 V: 1,8 W 24V : 2,0 W
Max. inrush current	300 mA for approx. 200ms max.
Operating power	8 mA by 230V 85 mA by 24V
Closing and opening times	Approx. 200sec.
Thermo head stroke	4,5 mm
Thermo head force	100 N
Fluid temperature	0 - 100°C
Storage temperature	-25 °C to + 60 °C
Ambient temperature	max. 60 °C
Degree / Class of protection	IP 54 / II
CE conformity according to	EN 60730
Connecting cable / length	PVC, 2 * 0,75 mm , lenght 1 m, RAL 9003
Adaptation	M 30
Closing point	10,5mm
Installation position	Upright IP 54
Material	PE
Housing color	RAL 9003

#### Time-travel diagram for NC

stroke in mm



#### Wiring diagram

stroke in mm

